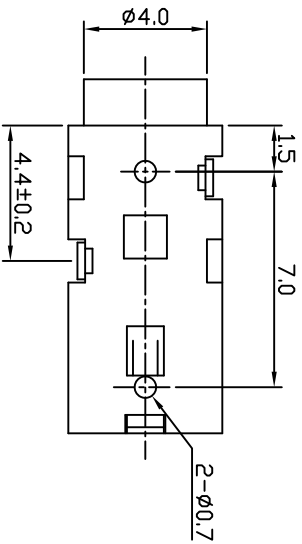
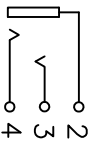


SCHEMATIC



SPECIFICATION

1. Rating : DC 30V 0.5A;
2. Contact resistance: $\leq 0.03\Omega$;
3. Insulation resistance: $\geq 100M\Omega$ (DC250V) ;
4. Withstand voltage: 500VAC ;
5. Insertion and extraction force: 3-20N;
6. life test: 5,000 cycles.

4	SPRING PIECE	1	PHOSPHOR BRONZE	Sn-Plating
3	SPRING PIECE	1	PHOSPHOR BRONZE	Sn-Plating
2	SPRING PIECE	1	PHOSPHOR BRONZE	Sn-Plating
1	HOUSING	1	PA66/PBT Class	
NO. DESCRIPTION		QTY	MATERIAL	PLATING
UNIT:MM		MODEL NO:		
TYPE: PHONE JACK		PJ2008C		
PAPER NO: A4		PAGE 1 OF 1		
SCALE 4:1		VER 1		